

CATEGORY	DESCRIPTION	P/N #
CONNECTOR	RL45反口带灯带滤波器10/100pbs	MJ2B-B211-RLX4T001-3

原料号: MJ2B-B211-RLX4T001-3
 变更后料号: MJ2B-B211-RLX4T001-3

REV.	ECN NO	DESCRIPTION	REVISED	DATE
A01	—	New Release	XSY	2015.05.02

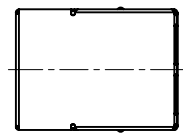
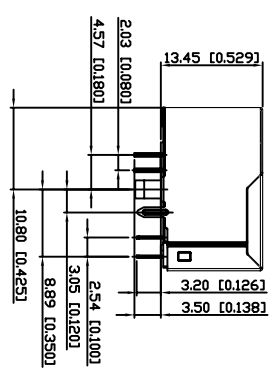
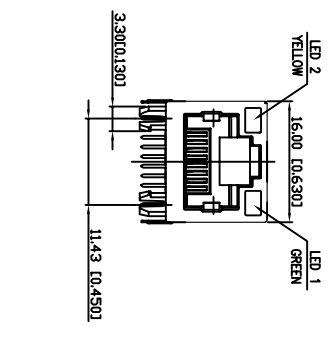


TABLE 1

X	LED-L	LED-R
1	GREEN	YELLOW
2	YELLOW	GREEN

MJ2B-B211-RLX4T001-3

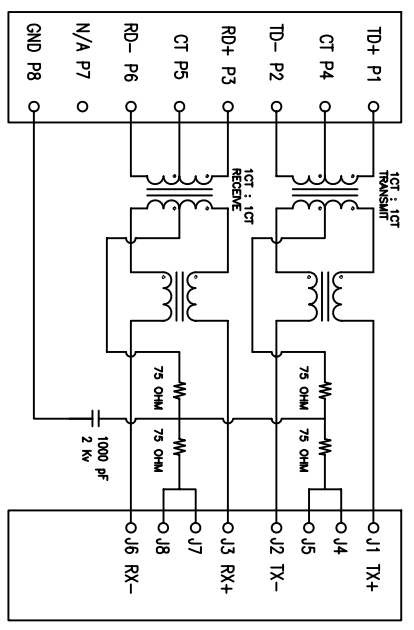
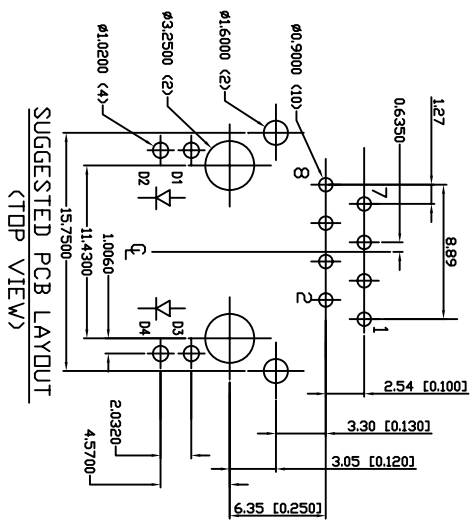
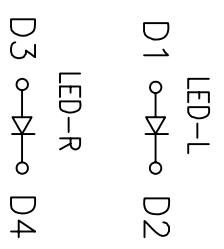
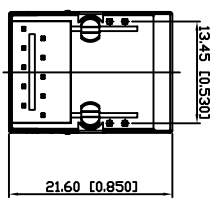
ELECTRICAL SPECIFICATIONS @ 25°C+/-5°C

Insertion Loss: 1-100MHZ -1.0DB MAX
 Return Loss: 1-30MHZ -16.0DB MIN
 30-60MHZ -14.0DB MIN
 60-80MHZ -10.0DB MIN

Cross Talk: 1-30MHZ -40.0DB MIN
 30-60MHZ -35.0DB MIN
 60-80MHZ -30.0DB MIN

Turn Ratio: 1CT:1CT+/-3%

CMR:1-100MHZ -35.0DB MIN
 Hi-Pot: 1000v AC 2S 1mA
 OCL:350uH MIN @ 100KHZ 100mv 8mA DC
 Operating temperature range:0°C to +70°C



g	LED-R	1	See Table1	Tin PALTING	
f	LED-L	1	See Table1	Tin PALTING	
e	SHELL	1	BRASS	Ni PALTING	
d	SOLDER TERMINAL	8	BRASS	Tin PALTING	
c	CONTACT TERMINAL	8	PHOSPHOR BRONZE	Au 6u" PALTING	
b	COVER	1	PBT UL94V-0	BLACK	
a	HOUSING	1	PBT UL94V-0	BLACK	
NO.	PART NAME	QTY	MATERIAL	PLATING & COLOR	Remark

UNLESS OTHERWISE SPECIFIED TOLERANCES:

DECIMALS: ANGLES:

X :±0.5 X :±2
 XX :±0.3 XX :±1
 XXX :±0.2 XXX :±1

東莞市合陵電子有限公司
DongGuan Heling Electronic Co.,LTD

SCALE:1/1 UNIT: mm DWG.NO:
 SIZE: A3 PAGE:1 OF 1 REV:A01 WI-161-077

APPROVED BY: XSY CHECKED BY: XSY PREPARED BY: XSY

DICK XSY

CUSTOMER COPY